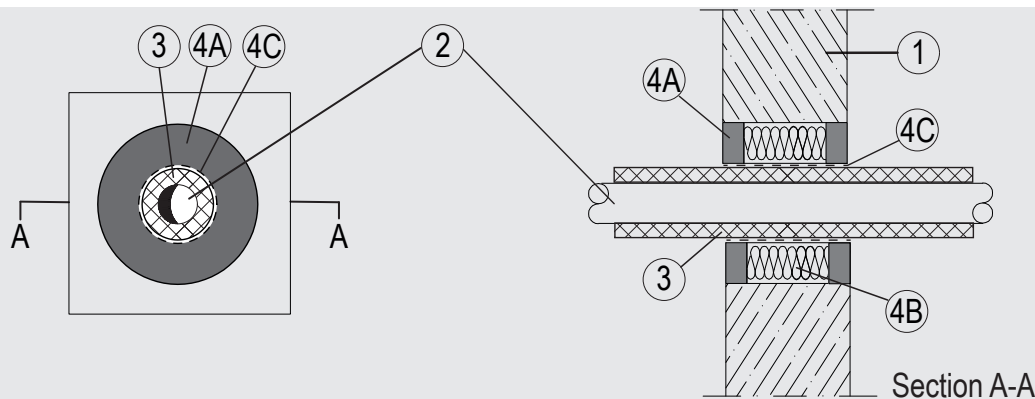


Through-penetration Firestop Systems

System No. W-J-2363

ANSI/UL1479 (ASTM E814)	CAN / ULC S115
F Rating – 3 Hr	F Rating – 3 Hr
T Rating – 3 Hr	FT Rating – 3 Hr
	FH Rating – 3 Hr
	FTH Rating – 3 Hr



1. Wall Assembly

Min. 4-1/2 in. (115 mm) thick lightweight or normal weight (100-150 pcf or 1600 - 2400 kg/m³) concrete. Wall may also be constructed of any UL Classified Concrete Blocks*. Opening shall be rectangular or circular with max dimensions of 5.9 in. (150 mm). See Concrete Blocks (CAZT) in the Fire Resistance Directory for names of manufacturers.

2. Pipes / Tubes

Single to be installed within the opening. The annular space between the pipes and the periphery of the opening to be 2 in (50 mm). Pipes to be rigidly supported on both sides of the wall assembly. The following penetrants may be used:

A. Nom 2 in (50 mm) diam 0.19 in (4.7 mm) wall thickness PVC pipe for use in closed (process or supply) piping systems.

3. Pipe Covering*

Nom 0.12 in. (19 mm) thick acrylonitrile butadiene/polyvinyl chloride (AB/PVC) flexible foam furnished in the form of tubing. The annular space between the insulated pipe or tubing and periphery of the opening shall be 2 in (31 mm).

See Plastics+ (QMFZ2) category in the Plastics Recognized Component Directory for names of manufacturers. Any Recognized Component tube insulation material meeting the above specifications and having a UL 94 Flammability Classification of 95-5VA may be used.

4. Firestop System

The Firestop System shall consist of the following:

- A. Packing Material – Gypsum mortar minimum 1.2 in. (31 mm) width and min 1 in. (25 mm) depth on both sides
- B. Packing Material – Min. 2-3/5 in. (65 mm) thickness of min. 4 pcf (64 kg/m³) mineral wool batt insulation or loose wool or optional gypsum mortar firmly packed into the opening as a permanent form. Packing material to be recessed from both surfaces of wall to accommodate the required thickness of fill material.
- C. Fill, Void or Cavity Material* – Overall 2 intumescent wraps. Each wrap is made up of 1 length of 1 layer of 1/16 in (1.5 mm) by 2 in. (50 mm) wrap flush mounted with the outside of the wall surface on both sides around the pipe.

Flamro Brandschutz-Systeme GmbH – DG-CR BS.

*Indicates such products shall bear the UL or cUL Certification Mark for jurisdictions employing the UL or cUL Certification (such as Canada), respectively. Reprinted from the Online Certifications Directory with permission from UL.