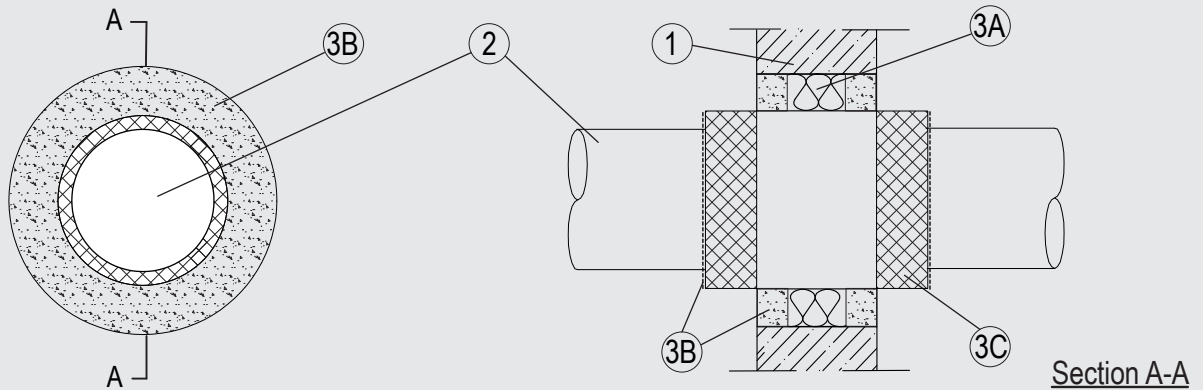


Through-penetration Firestop Systems

System No. W-J-1326

ANSI/UL1479 (ASTM E814)	CAN / ULC S115
F Rating – 2 Hr	F Rating – 2 Hr
T Rating – 2 Hr	FT Rating – 2 Hr
	FH Rating – 2 Hr
	FTH Rating – 2 Hr



1. Wall Assembly

Min. 4-1/2 in. (115 mm) thick lightweight or normal weight (100-150 pcf or 1600 - 2400 kg/m³) concrete. Wall may also be constructed of any UL Classified Concrete Blocks*. Opening shall be rectangular or circular with max dimensions of 2.1 in. (52 mm). See Concrete Blocks (CAZT) in the Fire Resistance Directory for names of manufacturers.

2. Tubes

Single to be installed within the opening. The annular space between the CT and the periphery of the opening to be 1 in (25 mm). Pipes to be rigidly supported on both sides of the wall assembly. The following penetrants may be used:

- A. Max 3-1/2 in. (89 mm) diameter Schedule 10 (or heavier) steel pipe for use in closed (process or supply) or vented (drain, waste or vent) piping systems.

3. Firestop System

The Through-Penetration Firestop System shall consist of the following:

- A. Packing Material – Min. 2-3/5 in. (65 mm) thickness of min. 4 pcf (64 kg/m³) mineral wool batt insulation or loose wool firmly packed into the opening as a permanent form. Packing material to be recessed from both surfaces of wall to accommodate the required thickness of fill material.
- B. Fill, Void or Cavity Material* – Min 0.4 in. (10 mm) width and min 1 in. (25 mm) depth on both sides between the wall and the pipe.

Flamro Brandschutz-Systeme GmbH – FLAMMOTECT-A, Filler

- C. Firestop Device* – 7-7/8 in. (200 mm) long pipe wrap positioned centrally within the seal and wrapped around the cables.

Flamro Brandschutz-Systeme GmbH – Cable Tube

*Indicates such products shall bear the UL or cUL Certification Mark for jurisdictions employing the UL or cUL Certification (such as Canada), respectively. Reprinted from Product iQ with permission from UL Solutions. ©2024 UL LLC.