

System Flammotect 1 × 60 mm

Mixed penetration sealing system made of a single mineral fibre board (60 mm) with an ablative coating



Fire Resistance Class

EI 30 – EI 60 (max. EI 90) in acc. with EN 13501-2

Areas of Application

- Plasterboard wall, solid wall, solid floor, sandwich panel wall, timber construction (CLT walls and floors)

Services

		max. Ø
	Cables	≤ 80
	Cable bundles	≤ 100 / ≤ 21
	Cable trays	✓
	Wave guides and coaxial cables	≤ 51.1
	single	≤ 32
	bundled	≤ 100 / ≤ 32
	speedpipes	≤ 40, single Ø ≤ 14
	Non-combustible pipes with insulation made of mineral wool	≤ 219.1 (steel) ≤ 88.9 (copper)
	Non-combustible pipes with FEF insulation	≤ 219.1 (steel) ≤ 88.9 (copper)
	Combustible pipes	≤ 160
	Multilayer pipes	≤ 110
	HVAC split line combinations	✓
	Double solar pipes NanoSun²	DN 16–40

*All specifications in mm

System Data

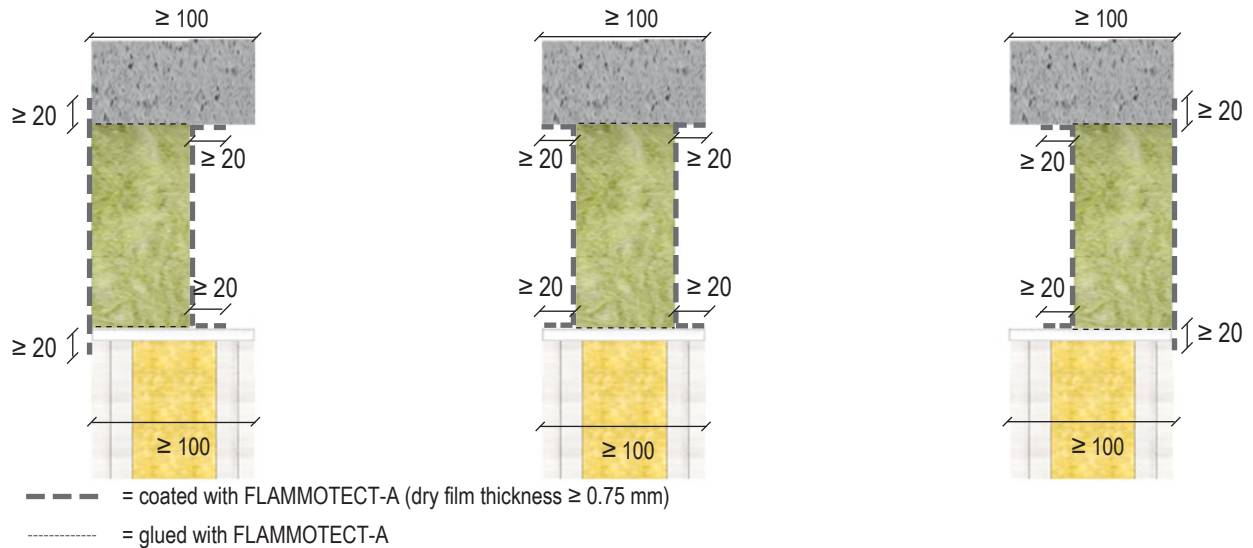
Certificates of usability		ETA-22/0052, KB 321100704-A Rev. 2.
Thickness of structural element	Plasterboard wall	≥ 100
	Solid wall	≥ 100
	Solid floor	≥ 150
	Timber wall	≥ 100
	Timber floor	≥ 140
	Sandwich panel wall	≥ 100
Sealing thickness	All building elements	≥ 60
Maximum sealing size	Plasterboard wall and solid wall	≤ 2000 × 1224 or ≤ 1224 × 2000
	Solid floor	≤ 10 000 × 1000
	Timber wall	600 × 1000 or 1000 × 600
	Timber floor	600 × 1000 or 420 × 3500
	Sandwich panel wall	1000 × 1000

All specifications in mm

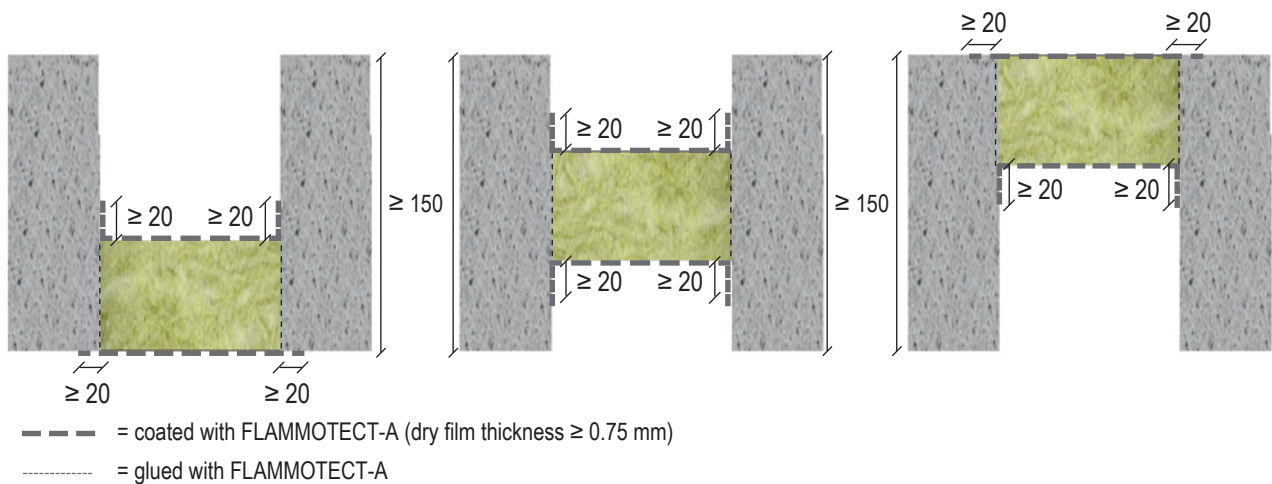
System Flammotect 1 × 60 mm

Design Variants

Plasterboard wall and solid wall

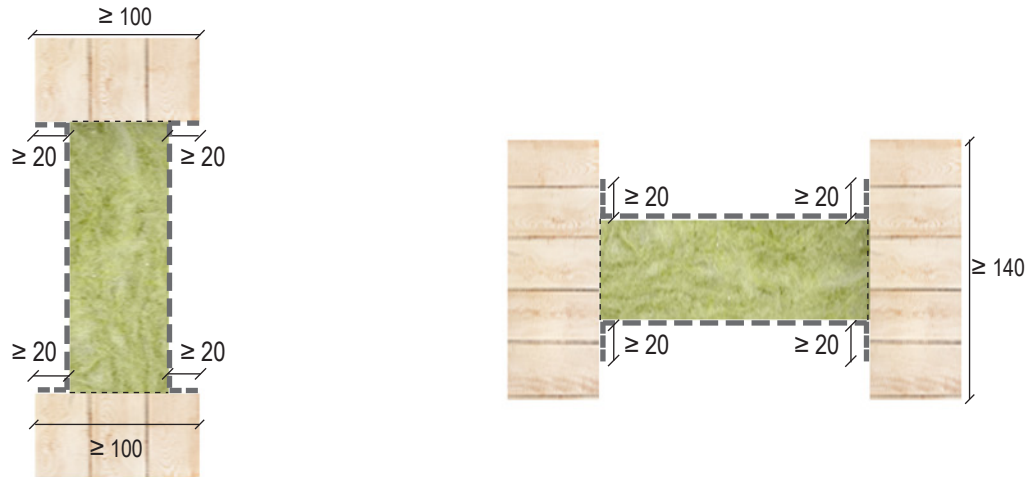


Solid floor



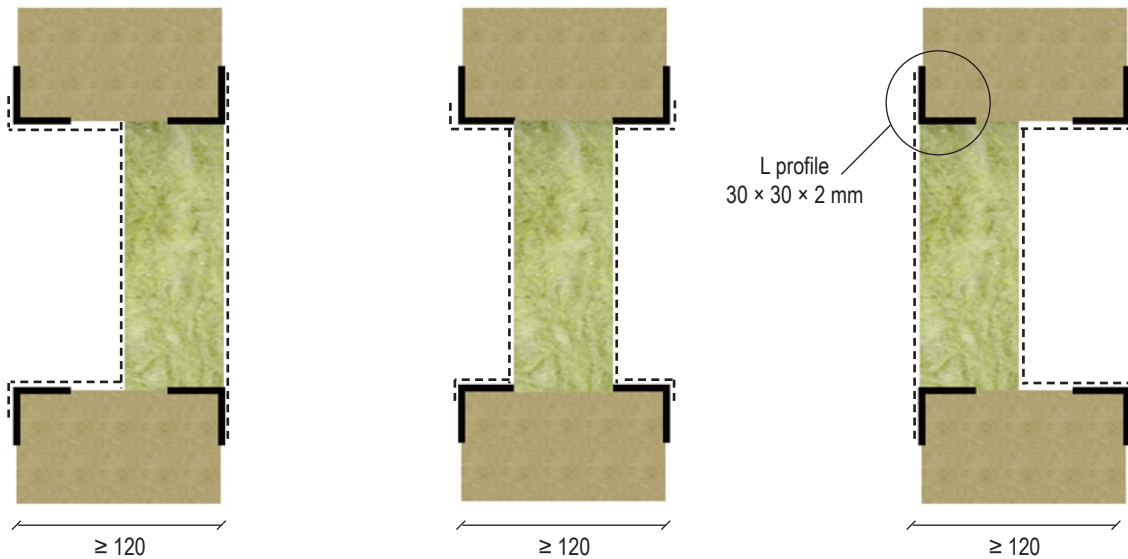
System Flammotect 1 × 60 mm

Timber wall and floor



- = coated with FLAMMOTECT-A (dry film thickness ≥ 1.0 mm)
- = glued with FLAMMOTECT-A

Sandwich panel wall



- = coated with FLAMMOTECT-A (dry film thickness ≥ 0.75 mm)

All specifications in mm

System Flammotect 1 × 60 mm

Products



FLAMMOTECT-A Coating

12.5 kg pail – Art. no. 01155131



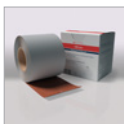
FLAMMOTECT-A Solid emulsion

12.5 kg pail – Art. no. 01155136



FLAMMOTECT-A Filler

12.5 kg pail – Art. no. 01155134
310 ml cartridge – Art. no. 01155115



NBR-plus Fire protection wrap

Roll, 10 m × 125 mm
(separable into 2 × 62.5 mm)
– Art. no. 01261941



KSL-W Fire protection wrap

Roll, 10 m × 50 mm self-adhesive
– Art. no. 15510
Roll, 20 m × 50 mm self-adhesive
– Art. no. 15520
Roll, 10 m × 100 mm self-adhesive
– Art. no. 15530



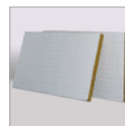
Mineral wool A1

Reaction to fire class in acc. with
EN 13501-1: A1
Melting point ≥ 1000 °C
10 kg bag – Art. no. 01183000



Mineral fibre board in acc. with EN 13162

Criteria: density ≥ 150 kg/m³
Reaction to fire class A1 in acc. with
EN 13501:1
Melting point ≥ 1000 °C.
(TR10) tensile strength vertical to board
surface ≥ 10 kPa according to EN 1607
Thickness ≥ 60 mm



Mineral fibre boards

pre-coated on both sides with
FLAMMOTECT-A
Dimensions 1000 × 600 × 60 mm
Box with 4 pcs. – Art. no. 01182165



Label

1 piece – Art. no. 14003