

System NBR-plus

Fire-resistant sealing system for non-combustible pipes in connection with FEF and glass wool insulation, HVAC split line combinations and electrical installation conduits



Services

		max. diameter*
	Non-combustible pipes	≤ 323.9 (steel) ≤ 88.9 (copper)
	Electrical installation conduits	≤ 63.0 (single) ≤ 100.0 (bundled)
	speedpipes	≤ 14.0 (single) ≤ 50.0 (bundled)
	HVAC split line combinations	✓

*All specifications in mm

Fire resistance class

max. EI 120 in acc. with EN 13501-2

Areas of application

- plasterboard walls, solid walls, solid floors, timber construction (CLT walls and floors)

Benefits

- low material requirements in walls (wrap can be separated) and floors (application only required below floor)
- annular gap can be sealed with a variety of materials (e. g. mortar or gypsum)
- can be used with all customary types of FEF insulation
- resistant to humidity, freeze-thaw cycles and UV radiation (use category X)

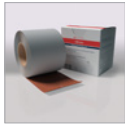
System data

Certificate of usability		ETA-21/0461
Thickness of building element	Plasterboard and solid wall	≥ 100
	Solid floor	≥ 150
	CLT wall	≥ 100
	CLT floor	≥ 140
Thickness of seal	Plasterboard and solid wall	≥ 100
	Solid floor	≥ 150
	CLT wall	≥ 100
	CLT floor	≥ 140

All specifications in mm

System NBR-plus

Products



**NBR-plus
fire protection wrap**
Roll, 5 m × 125 mm
(separable into 2 × 62.5 mm)
– Art. no. 0760150133
Roll, 10 m × 125 mm
(separable into 2 × 62.5 mm)
– Art. no. 01261941



Mineral wool
Class of reaction to fire in acc. with
EN 13501-1: A1
Melting point ≥ 1000 °C
10 kg bag – Art. no 01183000



**FLAMMOTECT-A
Filler**
5 kg pail – Art. no. 01155135
12.5 kg pail – Art. no. 01155134
310 ml cartridge – Art. no. 01155115
600 ml flow pack – Art. no. 01155153



Lamella mat Klimarock
in acc. with DIN EN 14303 and LE
DE0628071802 of 13.07.2018
Class of fire behaviour in acc. with EN 13501-1: Class A1
Dimensions 610 × 50 cm, Thickness 30 mm
Roll, 3.05 m² – Art. no. 01187100
Other lamella mats, mineral fibre mats or pipe shells may be installed if they meet the following criteria:
EN 14303 bulk density ≥ 40 kg/m³
Fire behaviour class A1 in acc. with EN 13501-1
Thickness ≥ 30 mm



**NOVASIT BM
Fire protection mortar**
20 kg bag – Art. no. 01161000
10 kg pail – Art. no. 01161010



Label
1 piece – Art. no. 14003



**GFM
Fire protection mortar**
25 kg bag – Art. no. 01167030



General sealing material
Dimensionally stable, non-combustible (class A1 or A2-s1,d0 in acc. with EN 13501-1) material such as concrete, cement mortar, gypsum mortar

Initial supports

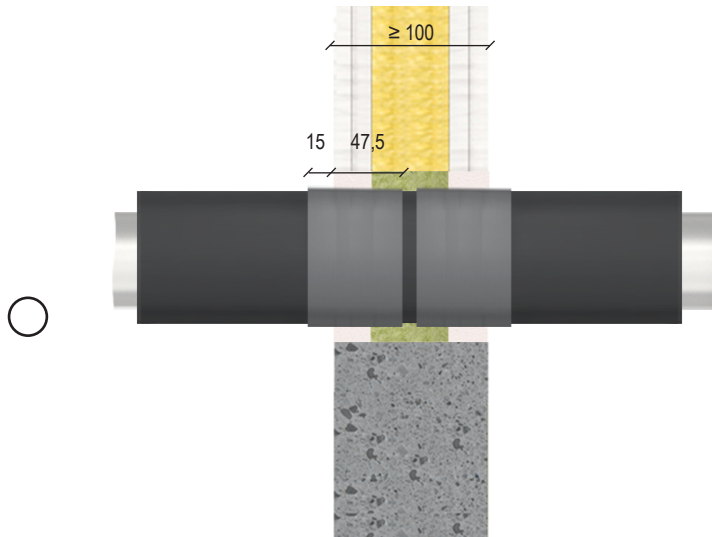
	Wall	Floor
Non-combustible pipes	≤ 500	≤ 500
Electrical installation conduits	≤ 250	≤ 250
speedpipes		
HVAC split line combinations	≤ 700	≤ 700
All specifications in mm		

System NBR-plus

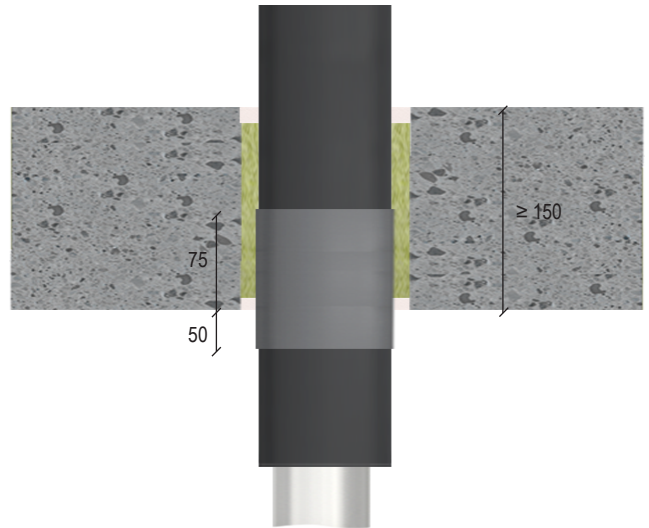
Design

All specifications in mm

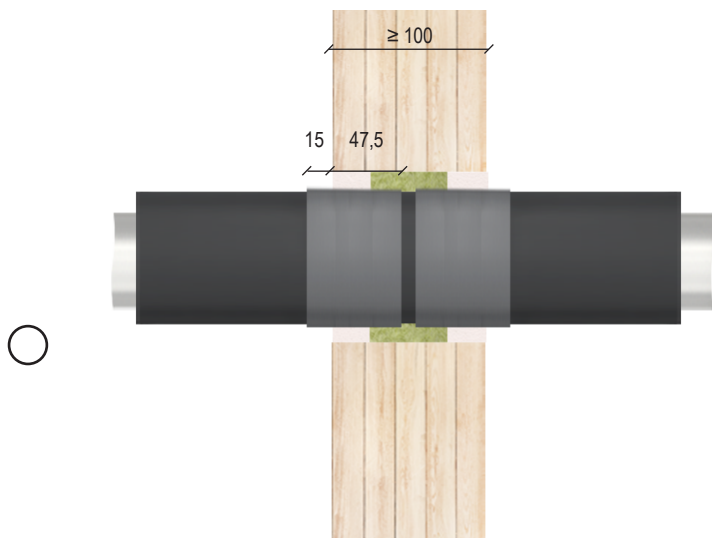
Plasterboard wall and solid wall



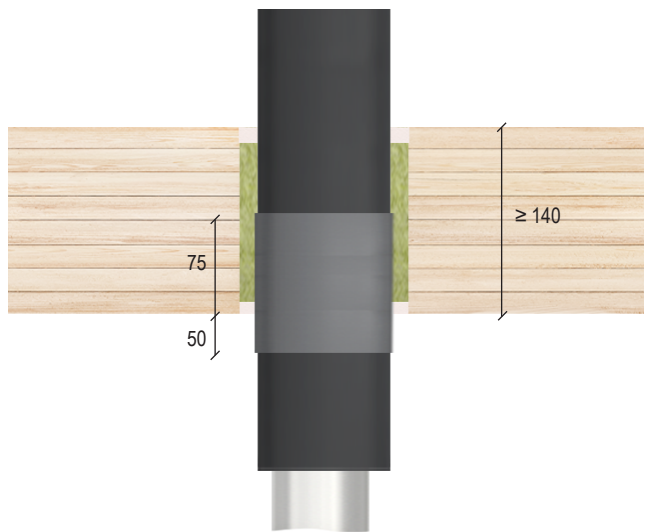
Solid floor



Timber wall



Timber floor



System NBR-plus

Design variants (fire resistance class EI 90)

Service	Specifications	Fire protection measures	
Electrical installation conduits		Plasterboard wall / solid wall	Solid floor
Electrical installation conduits made of plastic, single	Ø ≤ 32 mm with/without cables	Fire protection wrap NBR-plus width 62.5 mm, 2 × 1 layer	Fire protection wrap NBR-plus width 125 mm, 1 × 1 layer
	Ø ≤ 63 mm with/without cables	Fire protection wrap NBR-plus width 62.5 mm, 2 × 2 layers	Fire protection wrap NBR-plus width 125 mm, 1 × 2 layers
Electrical installation conduits made of plastic, bundled	Ø ≤ 100 mm, conduits Ø ≤ 32 mm with/without cables		
speedpipes		Plasterboard wall / solid wall	Solid floor
speedpipes, single or bundled /with/without optical fibre cables	bundle Ø ≤ 50 mm, single pipe Ø ≤ 14 mm	Fire protection wrap NBR-plus width 62.5 mm, 2 × 1 layer	Fire protection wrap NBR-plus width 125 mm, 1 × 1 layer
Non-combustible pipes with FEF insulation in acc. with EN 14304 (CS)		Plasterboard wall / solid wall	Solid floor
Copper, steel, stainless steel, cast iron	Ø ≤ 42.0, insulation thickness: 10–38 mm	Fire protection wrap NBR-plus width 62.5 mm, 2 × 2 layers	Fire protection wrap NBR-plus width 125 mm, 1 × 2 layers
	Ø ≤ 88.9, insulation thickness: 19–38 mm		
Steel, stainless steel, cast iron	Ø ≤ 159.0, insulation thickness: 25–38 mm	Fire protection wrap NBR-plus width 62.5 mm, 2 × 2 layers + protective insulation made of FEF 250 × 19 mm	Fire protection wrap NBR-plus width 125 mm, 1 × 2 layers + protective insulation made of FEF 250 × 25 mm
	Ø ≤ 219.1, insulation thickness: 25–38 mm	Fire protection wrap NBR-plus width 62.5 mm, 2 × 2 layers + protective insulation made of FEF 250 × 19 mm	Fire protection wrap NBR-plus width 125 mm, 1 × 2 layers + protective insulation made of FEF 250 × 38 mm
	Ø ≤ 323.9, insulation thickness: 39–48 mm	Fire protection wrap NBR-plus width 62.5 mm, 2 × 2 layers + protective insulation made of lamella mat 500 × 30 mm (EI 60 C/U)	Fire protection wrap NBR-plus width 125 mm, 1 × 3 layers + protective insulation made of FEF 750 × 60 mm
	Ø ≤ 323.9, insulation thickness: 25–50 mm	Fire protection wrap NBR-plus width 62.5 mm, 2 × 3 layers + protective insulation made of FEF 750 × 60 mm (solid wall ≥ 150 mm)	
HVAC split line combinations		Plasterboard wall / solid wall	Solid floor
Double copper pipe (Ø 18/18 mm) pre-insulated with PEF (9 mm) + condenser pipe made of PVC (Ø 25 mm) + max. 3 cables (Ø ≤ 14 mm)		Fire protection wrap NBR-plus width 62.5 mm, 2 × 2 layers	Fire protection wrap NBR-plus width 125 mm, 1 × 2 layers
Double copper pipe (Ø 22/22 mm) pre-insulated with PEF (9 mm) + condenser pipe made of PVC (Ø 25 mm) + max. 2 cables (Ø ≤ 14 mm)		–	Fire protection wrap NBR-plus width 125 mm, 1 × 2 layers + protective insulation made of lamella mat 250 × 30 mm on both sides

Timber construction

Service	Specifications	Fire protection measures	
Non-combustible pipes with FEF insulation in acc. with EN 14304 (CS)		Timber wall	Timber floor
Copper, steel, stainless steel, cast iron	Ø ≤ 28.0, insulation thickness: 9–19 mm	Fire protection wrap NBR-plus width 62.5 mm, 2 × 2 layers	Fire protection wrap NBR-plus width 125 mm, 1 × 2 layers
	Ø ≤ 54.0, insulation thickness: 9–21 mm		
Steel, stainless steel, cast iron	Ø ≤ 110.0, insulation thickness: 23 mm	Fire protection wrap NBR-plus width 62.5 mm, 2 × 2 layers (EI 60 C/U)	Fire protection wrap NBR-plus width 125 mm, 1 × 2 layers (EI 60 C/U)
	Ø ≤ 110.0, insulation thickness: 9–23 mm		

System NBR-plus

Design variants (fire resistance class EI 120)

Service	Specifications	Fire protection measures		
Electrical installation conduits		Plasterboard wall / solid wall	Solid floor	
Electrical installation conduits made of plastic, single	Ø ≤ 32 mm with/without cables	Fire protection wrap NBR-plus width 62.5 mm, 2 × 1 layer	Fire protection wrap NBR-plus width 125 mm, 1 × 1 layer	
	Ø ≤ 63 mm with/without cables	Fire protection wrap NBR-plus width 62.5 mm, 2 × 2 layers	Fire protection wrap NBR-plus width 125 mm, 1 × 2 layers	
Electrical installation conduits made of plastic, bundled	Ø ≤ 100 mm, conduits Ø ≤ 32 mm with/without cables			
speedpipes		Plasterboard wall / solid wall	Solid floor	
speedpipes, single or bundled /with/without optical fibre cables	bundle Ø ≤ 50 mm, single pipe Ø ≤ 14 mm	Fire protection wrap NBR-plus width 62.5 mm, 2 × 1 layer	Fire protection wrap NBR-plus width 125 mm, 1 × 1 layer	
Non-combustible pipes with FEF insulation in acc. with EN 14304 (CS)		Plasterboard wall / solid wall	Solid floor	
Copper, steel, stainless steel, cast iron	Ø ≤ 15.0, insulation thickness: 10–38 mm	Fire protection wrap NBR-plus width 62.5 mm, 2 × 2 layers	Fire protection wrap NBR-plus width 125 mm, 1 × 2 layers	
	Ø ≤ 54.0, insulation thickness: 19–38 mm			
	Ø ≤ 60.0, insulation thickness: 13–40 mm	–		
	Ø ≤ 88.9, insulation thickness: 25 mm	Fire protection wrap NBR-plus width 62.5 mm, 2 × 2 layers		
Steel, stainless steel, cast iron	Ø ≤ 108.0, insulation thickness: 19–39 mm	–	–	
	Ø ≤ 159.0, insulation thickness: 25–38 mm	Fire protection wrap NBR-plus width 62.5 mm, 2 × 2 layers + protective insulation made of FEF 250 × 19 mm		
	Ø ≤ 219.1, insulation thickness: 25–38 mm	Fire protection wrap NBR-plus width 62.5 mm, 2 × 2 layers + protective insulation made of FEF 250 × 38 mm		
	Ø ≤ 219.1, insulation thickness: 19–26 mm	–		Fire protection wrap NBR-plus width 125 mm, 1 × 2 layers + protective insulation made of lamella mat 500 × 60 mm
	Ø ≤ 323.9, insulation thickness: 25–50 mm	Fire protection wrap NBR-plus width 62.5 mm, 2 × 3 layers + protective insulation made of FEF 750 × 60 mm (solid wall ≥ 150 mm)		Fire protection wrap NBR-plus width 125 mm, 1 × 3 layers + protective insulation made of FEF 760 × 60 mm
HVAC split line combinations		Plasterboard wall / solid wall	Solid floor	
Double copper pipe (Ø 18/18 mm) pre-insulated with PEF (9 mm) + condenser pipe made of PVC (Ø 25 mm) + max. 3 cables (Ø ≤ 14 mm)		Fire protection wrap NBR-plus width 62.5 mm, 2 × 2 layers	Fire protection wrap NBR-plus width 125 mm, 1 × 2 layers	



NOTE:

The presented data are merely intended to serve as an overview. For a comprehensive presentation please consult the installation instructions.