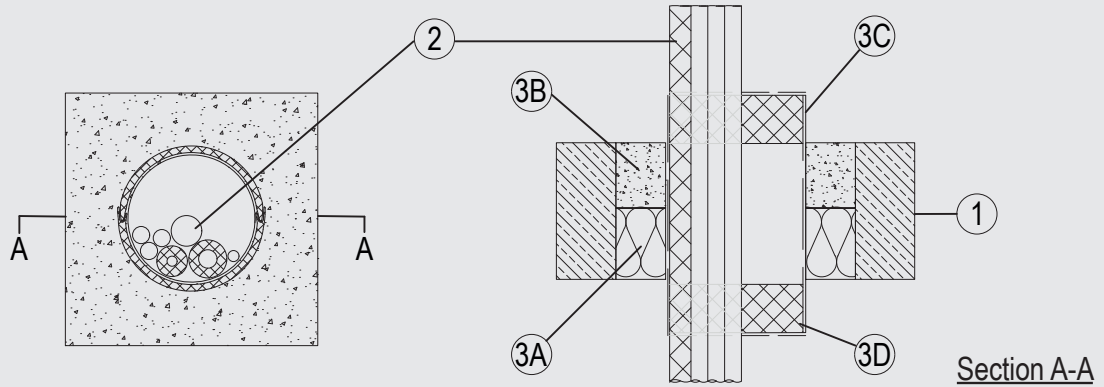


Through-penetration Firestop Systems

System No. F-A-8054

ANSI/UL1479 (ASTM E814)	CAN / ULC S115
F Rating – 3 Hr	F Rating – 3 Hr
T Rating – 1 - 1/2 Hr	FT Rating – 1 - 1/2 Hr
	FH Rating – 3 Hr
	FTH Rating – 1 - 1/2 Hr



1. Floor Assembly

Min 4-1/2 in. (115 mm) thick lightweight or normal weight (100-150 pcf or 1600 - 2400 kg/m³) concrete. Opening shall be circular or rectangular with max diam or dimensions of 6-3/8 in. (162 mm).

2. Services

'Climasplit' bundle of max diam 2 in. (50 mm) or smaller, annular space between the bundle and the periphery of the opening to be min 1-1/4 in (33 mm) and max 1-1/4 in (33 mm) and containing the following services:

- A. 1 max 1 in. (25 mm) diam (or smaller), 1/16 in. (1.5 mm) wall thickness, PVC-U pipe for use in closed (process or supply) or vented (drain, waste or vent) piping systems.
- B. 1 max 3/4 in. (18 mm) diam (or smaller), 1/16 in. (1 mm) wall thickness, Copper pipe with 9 mm PE insulation for use in closed (process or supply) or vented (drain, waste or vent) piping systems.
- C. 1 max 3/8 in. (10 mm) diam (or smaller), 1/16 in. (1 mm) wall thickness, Copper pipe with 9mm PE insulation for use in closed (process or supply) or vented (drain, waste or vent) piping systems.
- D. Max 5/C No. 15 AWG (1.5 mm) diam (or smaller), copper conductor cable with PVC insulation and jacket.

3. Firestop System

The Firestop System shall consist of the following:

- A. Packing material – 1 layer of Nom 2-3/8 in. (60 mm) thick mineral wool board min 9.3 pcf (150 kg/m³) firmly packed into the opening of the floor as a permanent form, flush to the bottom face.
- B. Fill, Void or Cavity Material* – Min 2-1/8 in. (55 mm) cast into the annular space between the firestop device and periphery of the opening, flush with the top surface of the floor. Mortar to be mixed with water in accordance with the manufacturer's installation instructions.
Flamro Brandschutz-Systeme GmbH – GFM
- C. Firestop Device* – 7-7/8 in. (200 mm) long by 5-3/8" (116 mm) diam cable tube positioned centrally within the seal and around the cables.
Flamro Brandschutz-Systeme GmbH – Cable Tube
- D. Fill, Void or Cavity Material* – Min 1/32 in. (1 mm) dry film thickness to be applied over both ends of the Firestop Device.
Flamro Brandschutz-Systeme GmbH – FLAMMOTECT-A

*Indicates such products shall bear the UL or cUL Certification Mark for jurisdictions employing the UL or cUL Certification (such as Canada), respectively. Reprinted from Product iQ with permission from UL Solutions. ©2024 UL LLC.