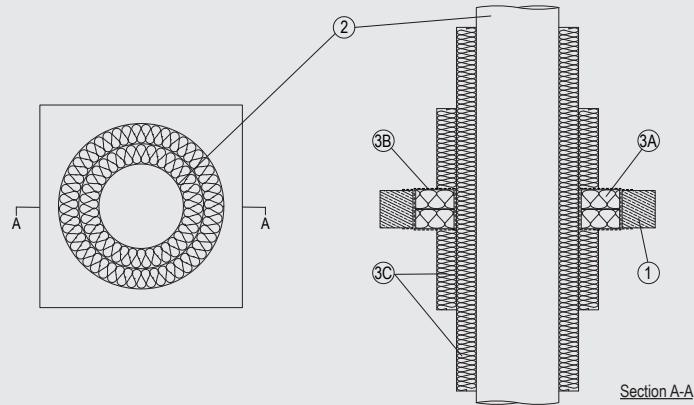


# Through-penetration Firestop Systems

## System No. F-A-5064

ANSI/UL1479 (ASTM E814)	CAN / ULC S115
F Rating – 3 Hr	F Rating – 3 Hr
T Rating – 3 Hr	FT Rating – 3 Hr
	FH Rating – 3 Hr
	FTH Rating – 3 Hr



### 1. Floor Assembly

Lightweight or normal weight (100-150 pcf or 1600-2400 kg/m<sup>3</sup>) concrete, min thickness of floor assembly is 4-1/2 in. (115 mm). Opening shall be circular or rectangular with max diam or dimensions 11-3/4 in. (300 mm).

### 2. Pipes

Single pipe to be installed within the opening. The annular space between the pipe and the periphery of the opening to be a nom 2-1/8 in (58 mm). Pipe to be rigidly supported on both sides of the floor assembly. The following pipes may be used:

- A. Nom 5 in. (125 mm) diam (or smaller) Schedule 10 (or heavier) steel pipe.

### 3. Firestop System

The Firestop System shall consist of the following:

- A. Packing material – 2 layers of nom 2-3/8 in. (60 mm) thick mineral wool board min 9.3 pcf (150 kg/m<sup>3</sup>) firmly packed into the opening of the floor as a permanent form.
- B. Fill, Void or Cavity Material\* – Min 1/16 in. (2 mm) dry film thickness to be applied inside the aperture before installation and over the full surface of the mineral wool boards, and overlapping onto the floor by min 3/4 in. (20 mm).  
**Flamro Brandschutz-Systeme GmbH – FLAMMOTECT-A**
- C. Pipe Insulation – Nom 1-1/4 in. (30 mm) thick mineral fibre lamella mat, min density 2.5 pcf (40 kg/m<sup>3</sup>), wrapped around pipe for min 19-3/4 in. (500 mm) on both faces and continuous through the seal. Nom 1-1/4 in. (30 mm) thick mineral fibre lamella mat, min density 2.5 pcf (40 kg/m<sup>3</sup>), wrapped around first layer of pipe insulation for min 10 in. (250 mm) on both faces.

\*Indicates such products shall bear the UL or cUL Certification Mark for jurisdictions employing the UL or cUL Certification (such as Canada), respectively. Reprinted from the Online Certifications Directory with permission from UL.