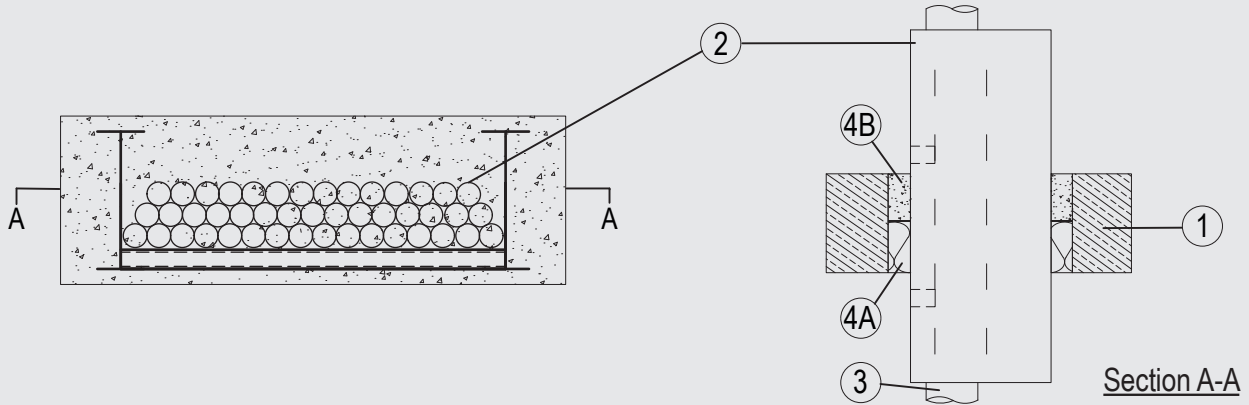


Through-penetration Firestop Systems

System No. F-A-4019

ANSI/UL1479 (ASTM E814)	CAN / ULC S115
F Rating – 3 Hr	F Rating – 3 Hr
T Rating – 1 Hr	FT Rating – 1 Hr
	FH Rating – 3 Hr
	FTH Rating – 1 Hr



1. Floor Assembly

Min 4-1/2 in. (115 mm) thick lightweight or normal weight (100-150 pcf or 1600-2400 kg/m³) concrete. Opening shall be rectangular with max dimensions of 21-3/4 in. (551 mm) by 7-7/8 in. (200 mm).

2. Cable Tray*

Nom 13-3/4 in. (350 mm) wide by max 4 in. (101.6mm) deep open-perforated or solid sheet cable tray with side rails formed of min 1/8 in. (2,3 mm) thick aluminium. The annular space between the cables trays and the periphery of the opening to be a min 3/4 in. (18 mm) to a max 2 in. (48 mm). Cable trays to be rigidly supported on both sides of the floor assembly.

3. Cables

Aggregate cross-sectional area of cables in cable tray not to exceed 19 percent of the cross-sectional area of the cable tray based on a max 1-7/8 in. (48 mm) cable loading depth within the tray. The following types and sizes of cables may be used:

- A. Max 20/C No. 19 AWG (0.6 mm) diam (or smaller), copper conductor telecommunication cables PE jacket.

4. Firestop System

The Firestop System shall consist of the following:

- A. Packing Material – 1 layers of nom 2-3/8 in. (60 mm) thick mineral wool board min 9.3 pcf (150 kg/m³) firmly packed into the opening of the floor as a permanent form, flush to the bottom surface of the floor.
- B. Fill, Void or Cavity Material* – Min 2-1/8 in. (55 mm) cast into the annular space between the cables/tray and periphery of the opening, flush with the top surface of the floor. Mortar to be mixed with water in accordance with the manufacturer’s installation instructions.

Flamro Brandschutz-Systeme GmbH – GFM

*Indicates such products shall bear the UL or cUL Certification Mark for jurisdictions employing the UL or cUL Certification (such as Canada), respectively. Reprinted from Product iQ with permission from UL Solutions. ©2024 UL LLC.