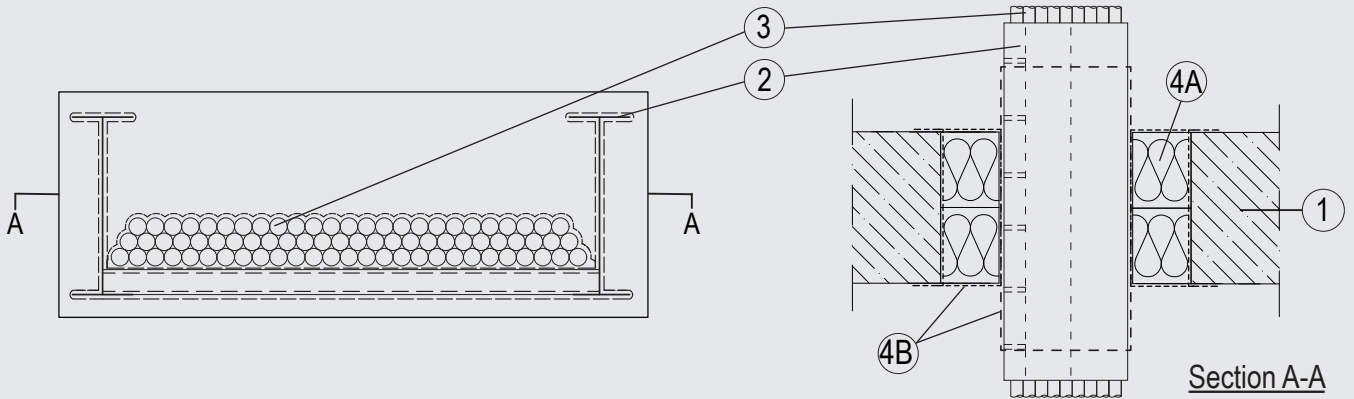


Through-penetration Firestop Systems

System No. F-A-4018

ANSI/UL1479 (ASTM E814)	CAN / ULC S115
F Rating – 3 Hr	F Rating – 3 Hr
T Rating – 1-1/2 Hr	FT Rating – 1-1/2 Hr
	FH Rating – 3 Hr
	FTH Rating – 1-1/2 Hr



1. Floor Assembly

Min 4-1/2 in. (115 mm) thick lightweight or normal weight (100-150 pcf or 1600-2400 kg/m³) concrete. Opening shall be rectangular with max dimensions of 21-2/3 in. (551 mm) by 7-7/8 in. (200 mm).

2. Cable Tray*

Nom 13-3/4 in. (350 mm) wide by max 4 in. (101.6 mm) deep open-perforated or solid sheet cable tray with side rails formed of min 1/8 in. (2.3 mm) thick aluminium. The annular space between the cable trays and the periphery of the opening to be a min 1-7/8 in. (47 mm). Cable trays to be rigidly supported on both sides of the floor assembly.

3. Cables

Aggregate cross-sectional area of cables in cable tray not to exceed 19 percent of the cross-sectional area of the aperture based on a max 1-7/8 in. (48 mm) cable loading depth within the tray. The following types and sizes of cables may be used:

- A. Nom 4-1/4 in (110mm) diam 1/8 in. (3,2 mm) wall thickness PVC pipe for use in closed (process or supply) or vented (drain, waste or vent) piping systems.

4. Firestop System

The Firestop System shall consist of the following:

- A. Packing Material – Nom 2-3/8 in. (60 mm) thick mineral wool boards min 9.3 pcf (150 kg/m³) firmly packed into the opening of the wall as a permanent form. Packing material to be installed flush with both surfaces of floor.
- B. Fill, Void or Cavity Material* – Min 1/16 in. (2 mm) dry film thickness to be applied inside the aperture before installation and over the full surface of the mineral wool boards, and overlapping onto the floor by min 3/4 in. (20 mm). Min 1/32 in. (1 mm) dry film thickness to be applied over the surface of the cables and tray to a min length of 7-7/8 in. (200 mm) from both faces of the board.

Flamro Brandschutz-Systeme GmbH – FLAMMOTECT-A

*Indicates such products shall bear the UL or cUL Certification Mark for jurisdictions employing the UL or cUL Certification (such as Canada), respectively. Reprinted from Product iQ with permission from UL Solutions. ©2024 UL LLC.