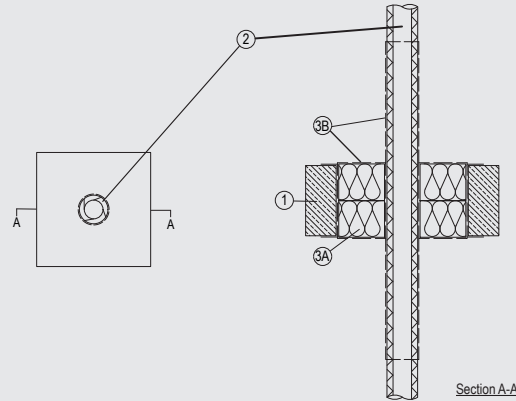


# Through-penetration Firestop Systems

## System No. F-A-3070

ANSI/UL1479 (ASTM E814)	CAN / ULC S115
F Rating – 3 Hr	F Rating – 3 Hr
T Rating – 1-1/2 Hr	FT Rating – 1-1/2 Hr
	FH Rating – 3 Hr
	FTH Rating – 1-1/2 Hr



### 1. Wall and Floor Assembly

Min 4-1/2 in. (115 mm) thick lightweight or normal weight (100-150 pcf or 1600 - 2400 kg/m<sup>3</sup>) concrete. Opening shall be rectangular with max dimensions of 7-7/8 in. (200 mm) by 7-7/8 in. (200 mm).

### 2. Services

Single hollow optic cable (wave guide) with max diam 2-1/2 in. (63 mm). The annular space between the cable and the periphery of the opening to be 2-3/4 in. (68.5 mm). Cable to be rigidly supported on both sides of the floor assembly.

### 3. Firestop System

The Firestop System shall consist of the following:

- A. Packing material – 2 layers of nom 2-3/8 in. (60 mm) thick mineral wool board min 9.3 pcf (150 kg/m<sup>3</sup>) firmly packed into the opening of the floor as a permanent form.
- B. Fill, Void or Cavity Material\* – Min 1/16 in. (2 mm) dry film thickness to be applied inside the aperture before installation and over the full surface of the mineral wool boards, and overlapping onto the floor by min 3/4 in. (20 mm). Min 1/32 in. (1 mm) dry film thickness to be applied over the surface of the cable to a min length of 7-7/8 in. (200 mm) from both faces of the board.

**Flamro Brandschutz-Systeme GmbH – FLAMMOTECT-A**

\*Indicates such products shall bear the UL or cUL Certification Mark for jurisdictions employing the UL or cUL Certification (such as Canada), respectively. Reprinted from the Online Certifications Directory with permission from UL.