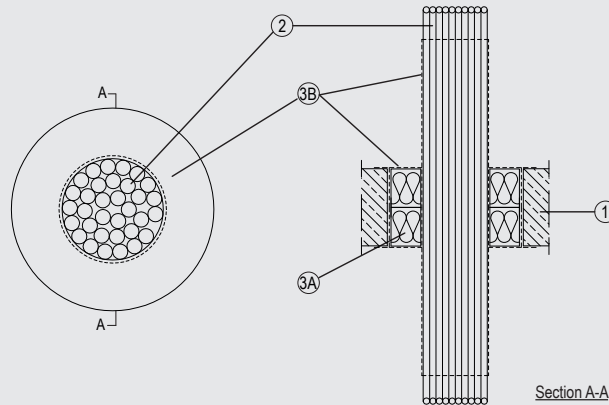


Through-penetration Firestop Systems

System No. F-A-3062

ANSI/UL1479 (ASTM E814)	CAN / ULC S115
F Rating – 3 Hr	F Rating – 3 Hr
T Rating – 1 Hr	FT Rating – 1 Hr
	FH Rating – 3 Hr
	FTH Rating – 1 Hr



1. Floor Assembly

Lightweight or normal weight (100-150 pcf or 1600-2400 kg/m³) concrete, min thickness of solid concrete floor assembly is 4-1/2 in. (115 mm). Opening shall be circular or rectangular with max diameter or dimensions of 7-7/8 in. (200 mm).

2. Cables

Single or tight bundle of cables to be installed within the opening on a cable tray. Aggregate cross-sectional area of cables in opening to have a visual fill of min 0% to max 50%. The annular space between the cable bundle and the periphery of the opening to be 2 in (50 mm). Cables to be rigidly supported on both sides of the floor assembly. The following types and sizes of cables may be used:

- A. Max 20/C No. 19 AWG (0.6 mm) diameter (or smaller), copper conductor telecommunication cables PE jacket.

3. Firestop System

The Firestop System shall consist of the following:

- A. Packing Material – Nom. 2-3/8 in. (60 mm) thick mineral wool board min. 9.3 pcf (150 kg/m³) firmly packed into the opening of the floor as a permanent form. Packing material to be installed flush with both surfaces of floor.
- B. Fill, Void or Cavity Material* – Min. 1/16 in. (2 mm) dry film thickness to be applied inside the aperture before installation and over the full surface of the mineral wool boards, and overlapping onto the concrete by min. 3/4 in. (20 mm). Min. 1/32 in. (1 mm) dry film thickness to be applied over the surface of the cables to a minimum length of 7-7/8 in. (200 mm) from both faces of the board.

Flamro Brandschutz-Systeme GmbH – FLAMMOTECT-A

*Indicates such products shall bear the UL or cUL Certification Mark for jurisdictions employing the UL or cUL Certification (such as Canada), respectively. Reprinted from the Online Certifications Directory with permission from UL.