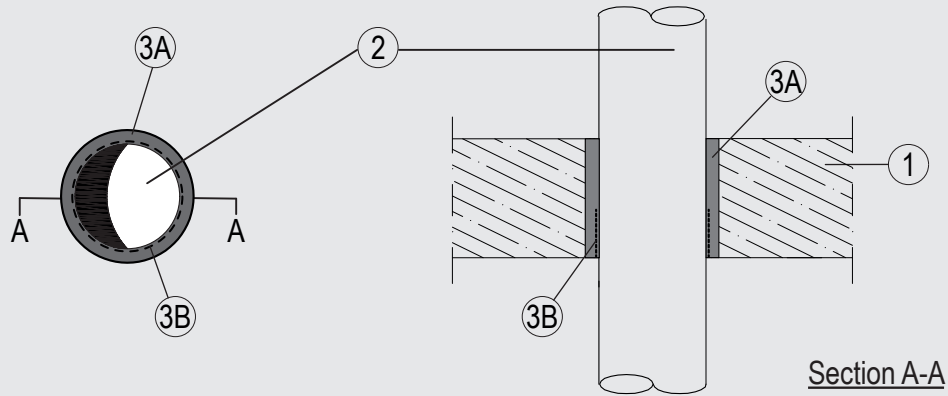


# Through-penetration Firestop Systems

## System No. F-A-2339

ANSI/UL1479 (ASTM E814)	CAN / ULC S115
F Rating – 2 Hr	F Rating – 2 Hr
T Rating – 2 Hr	FT Rating – 2 Hr
	FH Rating – 2 Hr
	FTH Rating – 2 Hr



System tested with a pressure differential of 2.5 Pa between the exposed and the unexposed surfaces with the higher pressure on the exposed side.

### 1. Floor Assembly

Min. 4-1/2 in. (115 mm) thick lightweight or normal weight (100-150 pcf or 1600 - 2400 kg/m<sup>3</sup>) concrete. Opening shall be circular or rectangular with max diameter or dimensions of 8.3 in. (210 mm).

### 2. Pipes / Tubes

Single to be installed within the opening. The annular space between the pipes and the periphery of the opening to be 1 in (25 mm). Pipes to be rigidly supported on both sides of the floor assembly. The following penetrants may be used:

- A. Nom 6.3 in (160 mm) diam 0.3 in (7.7 mm) wall thickness PVC pipe for use in closed (process or supply) piping systems.

### 3. Firestop System

The Firestop System shall consist of the following:

- A. Packing Material – UL Certified gypsum mud, minimum 1 in. width inside the aperture.
- B. Fill, Void or Cavity Material\* – 1 length of 2 layer of 1/16 in (1.5 mm) by 2 in. (50 mm) wrap flush mounted on the exposed side around the pipe.

**Flamro Brandschutz-Systeme GmbH – DG-CR BS**

\*Indicates such products shall bear the UL or cUL Certification Mark for jurisdictions employing the UL or cUL Certification (such as Canada), respectively. Reprinted from the Online Certifications Directory with permission from UL.