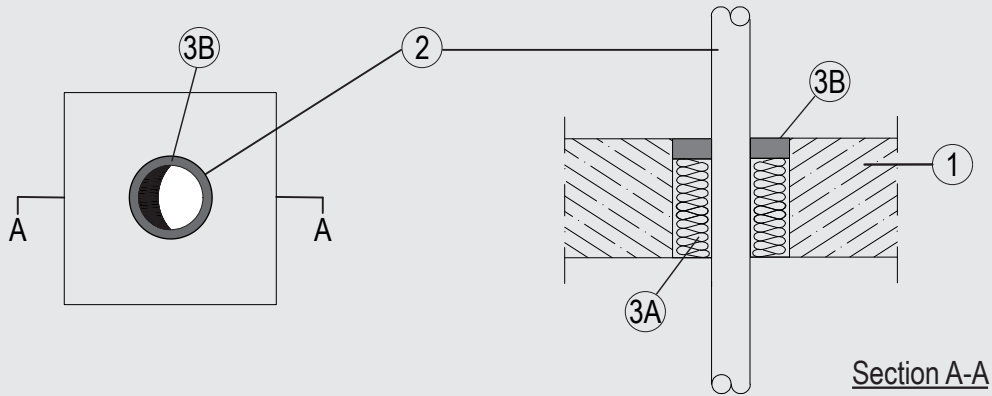


# Through-penetration Firestop Systems

## System No. F-A-2327

ANSI/UL1479 (ASTM E814)	CAN / ULC S115
F Rating – 3 Hr	F Rating – 3 Hr
T Rating – 2 Hr	FT Rating – 2 Hr
	FH Rating – 3 Hr
	FTH Rating – 2 Hr



System tested with a pressure differential of 2.5 Pa between the exposed and the unexposed surfaces with the higher pressure on the exposed side.

### 1. Floor Assembly

Min. 4-1/2 in. (115 mm) thick lightweight or normal weight (100-150 pcf or 1600 - 2400 kg/m<sup>3</sup>) concrete. Opening shall be circular or rectangular with max diameter or dimensions of 3.9 in. (100 mm).

### 2. Pipes / Tubes

Single to be installed within the opening. The annular space between the pipes and the periphery of the opening to be 0.5 in (12.5 mm). Pipes to be rigidly supported on both sides of the floor assembly. The following penetrants may be used:

- A. Nom 2.95 in (75 mm) diam 0.14 in (3.6 mm) wall thickness PE pipe for use in closed (process or supply) piping systems.

### 3. Firestop System

The Firestop System shall consist of the following:

- A. Packing material – 1 layers of Nom. 0.5 in. (12.5 mm) thick and 3.9 in. (100 mm) depth mineral wool board min. 3.7 pcf (60 kg/m<sup>3</sup>) firmly packed into the opening of the floor and flush mounted on the exposed side as a permanent form.
- B. Fill, Void or Cavity Material\* – Min 0.5 in (12,5 mm) width and min 0.6 in. (15 mm) depth cast in to aperture in the floor over the packing material and around the services.

**Flamro Brandschutz-Systeme GmbH – FLAMMOTECT-A**

\*Indicates such products shall bear the UL or cUL Certification Mark for jurisdictions employing the UL or cUL Certification (such as Canada), respectively. Reprinted from Product iQ with permission from UL Solutions. ©2024 UL LLC.