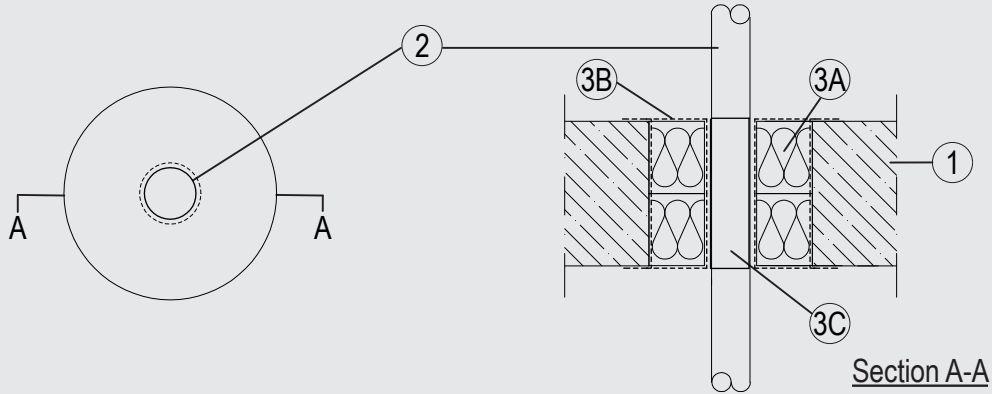


Through-penetration Firestop Systems

System No. F-A-2278

ANSI/UL1479 (ASTM E814)	CAN / ULC S115
F Rating – 2 Hr	F Rating – 2 Hr
T Rating – 1 Hr	FT Rating – 1 Hr
	FH Rating – 2 Hr
	FTH Rating – 1 Hr



System tested with a pressure differential of 2.5 Pa between the exposed and the unexposed surfaces with the higher pressure on the exposed side.

1. Floor Assembly

Min. 4-1/2 in. (115 mm) thick lightweight or normal weight (100-150 pcf or 1600 - 2400 kg/m³) concrete. Opening shall be circular or rectangular with max dimensions of 5-1/4 in. (132 mm).

2. Pipes/ Tubes

Single to be installed within the opening. The annular space between the pipes and the periphery of the opening to be 2 in (50 mm). Pipes to be rigidly supported on both sides of the floor assembly. The following penetrants may be used:

- A. Nominal 1-1/4 in (32mm) diameter, 1/8 in. (3 mm) wall thickness PE/AL/PE composite plastic pipe for use in closed (process or supply) or vented (drain, waste or vent) piping systems.

3. Firestop System

The Firestop System shall consist of the following:

- A. Packing material – 2 layers of Nom. 2-3/8 in. (60 mm) thick mineral wool board min. 9.3 pcf (150 kg/m³) firmly packed into the opening of the floor as a permanent form.
- B. Fill, Void or Cavity Material* – Min. 1/16 in. (2 mm) dry film thickness to be applied inside the aperture before installation and over the full surface of the mineral wool boards, and overlapping onto the wall by min. 3/4 in. (20 mm). Min. 1/32 in. (1 mm) dry film thickness to be applied over the surface of the cables and tray to a minimum length of 10 in. (254 mm) from both faces of the board.

Flamro Brandschutz-Systeme GmbH – FLAMMOTECT-A

- C. Fill, Void or Cavity Material* – 1 layer of 1/16 in (1.5 mm) by 5 in. (125 mm) wrap positioned centrally within the depth of the seal around pipe.

Flamro Brandschutz-Systeme GmbH – DG-CR 1.5

*Indicates such products shall bear the UL or cUL Certification Mark for jurisdictions employing the UL or cUL Certification (such as Canada), respectively. Reprinted from Product iQ with permission from UL Solutions. ©2024 UL LLC.