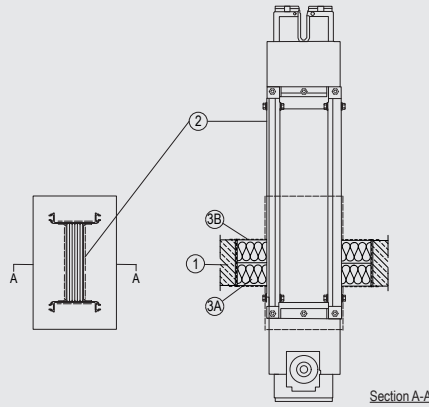




Through-penetration Firestop Systems

System No. C-AJ-6049

ANSI/UL1479 (ASTM E814)	CAN / ULC S115
F Rating – 3 Hr	F Rating – 3 Hr
T Rating – 1/2 Hr	FT Rating – 1/2 Hr
	FH Rating – 3 Hr
	FTH Rating – 1/2 Hr



1. Wall and Floor Assembly

Min 4-1/2 in. (115 mm) thick lightweight or normal weight (100-150 pcf or 1600 - 2400 kg/m³) concrete. Wall may also be constructed of any UL Classified Concrete Blocks*. Opening shall be rectangular with max dimensions 15-3/4 in. (400 mm) by 15-3/4 in. (400 mm).

See Concrete Blocks (CAZT) in the Fire Resistance Directory for names of manufacturers.

2. Busbar

Single to be installed within the opening. The annular space between the busbar and the periphery of the opening to be 2 in (50 mm). Busbar to be rigidly supported on both sides of the wall or floor assembly. The following penetrants may be used:

A. Aluminium or Copper busbar with max dimensions 11-3/4 in. (300 mm) by 11-3/4 in. (300 mm).

3. Firestop System

The Firestop System shall consist of the following:

- A. Packing Material – 2 layers of nom 2-3/8 in. (60 mm) thick mineral wool board min 9.3 pcf (150 kg/m³) firmly packed into the opening of the wall or floor as a permanent form.
- B. Fill, Void or Cavity Material* – Min 1/16 in. (2 mm) dry film thickness to be applied inside the aperture before installation and over the full surface of the mineral wool boards, and overlapping onto the wall or floor by min 3/4 in. (20 mm). Min 1/16 in. (2 mm) dry film thickness to be applied over the surface of the busbar to a min length of 7-7/8 in. (200 mm) from both faces of the board.

Flamro Brandschutz-Systeme GmbH – FLAMMOTECT-A

*Indicates such products shall bear the UL or cUL Certification Mark for jurisdictions employing the UL or cUL Certification (such as Canada), respectively. Reprinted from Product iQ with permission from UL Solutions. ©2024 UL LLC.