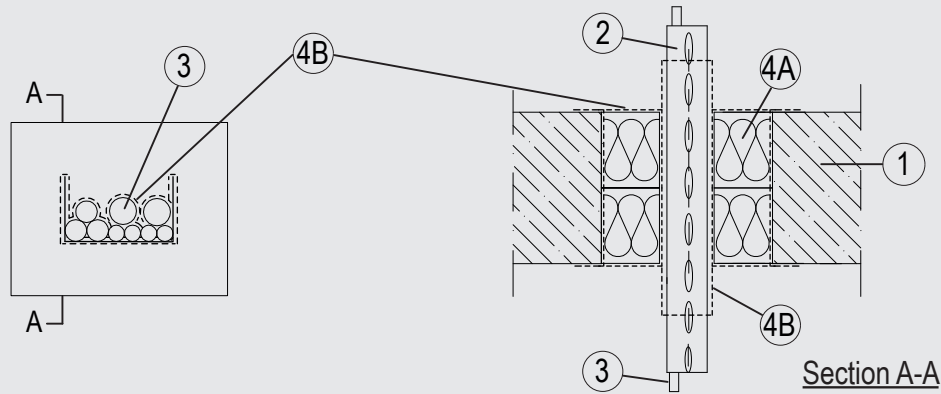


Through-penetration Firestop Systems

System No. C-AJ-4108

ANSI/UL1479 (ASTM E814)	CAN / ULC S115
F Rating – 3 Hr	F Rating – 3 Hr
T Rating – 2 Hr	FT Rating – 2 Hr
	FH Rating – 3 Hr
	FTH Rating – 2 Hr



1. Floor or Wall Assembly

Lightweight or normal weight (100-150 pcf or 1600-2400 kg/m³) concrete, min thickness of solid concrete floor or wall assembly is 4-1/2 in. (115 mm). Wall may also be constructed of any UL Classified Concrete Blocks*. Opening shall be rectangular with max dimensions of 7-7/8 in. (200 mm) by 6-1/4 in. (160 mm) in concrete walls and floors.

See Concrete Blocks (CAZT) category in Fire Resistance Directory for names of manufacturers.

2. Cable Tray*

Max 4 in (100 mm) wide by 2-3/8 in. (60 mm) deep open-perforated or solid sheet cable tray with side rails formed of min 0.05 in. (1.5 mm) thick steel. Cable trays to be rigidly supported on both sides of the floor or wall assembly.

3. Cables

Aggregate cross-sectional area of cables in cable tray not to exceed 15.48 percent of the cross-sectional area of the cable tray based on a max 1 in. (25 mm) cable loading depth within the tray. Any combination of the following types and sizes of cables may be used:

- A. Max 5/C No. 15 AWG (1.5 mm) diameter (or smaller), copper conductor cable with EPR insulation and Rubber jacket.
- B. Max 5/C No. 15 AWG (1.5 mm) diameter (or smaller), copper conductor cable with XPLE insulation and EVA jacket.
- C. Max 5/C No. 15 AWG (1.5 mm) diameter (or smaller), copper conductor cable with PVC insulation and PVC jacket.

4. Through-Penetration Firestop System

Aperture to be coated with item 3B before the Through-Penetration Firestop System is installed. The Through-Penetration Firestop System shall consist of the following:

- A. Packing material – Nom 2-3/8 in. (60 mm) thick mineral wool board min 9.3 pcf (150 kg/m³), firmly packed into the opening of the floor or wall as a permanent form. Packing material to be installed flush with both surfaces of floor or wall.
- B. Fill, Void or Cavity Material* – Min 1/16 in. (2 mm) dry film thickness to be applied inside the aperture before installation and over the full surface of the mineral wool boards, and overlapping onto the wall by min 3/4 in. (20 mm). Min. 1/32 in. (1 mm) dry film thickness to be applied over the surface of the cables and tray to a min length of 7-7/8 in. (200 mm) from both faces of the board.

Flamro Brandschutz-Systeme GmbH – FLAMMOTECT-A

*Indicates such products shall bear the UL or cUL Certification Mark for jurisdictions employing the UL or cUL Certification (such as Canada), respectively. Reprinted from Product iQ with permission from UL Solutions. ©2024 UL LLC.