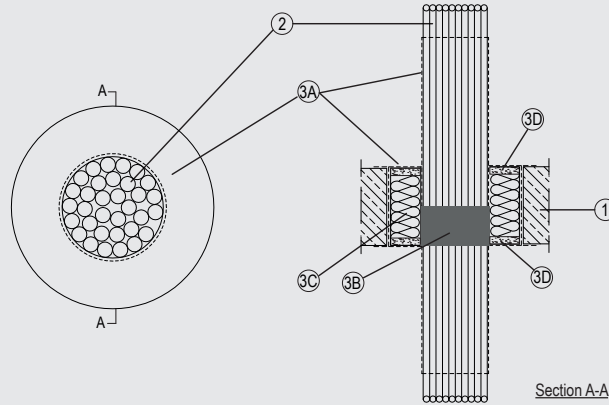


# Through-penetration Firestop Systems

## System No. C-AJ-3387

ANSI/UL1479 (ASTM E814)	CAN / ULC S115
F Rating – 3 Hr	F Rating – 3 Hr
T Rating – 1 Hr	FT Rating – 1 Hr
	FH Rating – 3 Hr
	FTH Rating – 1 Hr



System tested with a pressure differential of 2.5 Pa between the exposed and the unexposed surfaces with the higher pressure on the exposed side.

### 1. Floor Assembly

Min. 4-1/2 in. (115 mm) thick normal weight (nom. 135-150 pcf or nom. 2160-2400 kg/m<sup>3</sup>) concrete. Wall may also be constructed of any UL Classified Concrete Blocks\*. Opening shall be circular or rectangular with max diameter or dimensions of 7-7/8 in. (200 mm).

See Concrete Blocks (CAZT) category in UL ProductIQ for names of manufacturers.

### 2. Cables

Single or tight bundle of max diam 6-2/3 in. (170 mm). Annular space between the bundle and the periphery of the opening to be a nom 0.6 in (15 mm). Cables to be rigidly supported on both sides of floor or wall assembly. The following types and sizes of cables may be used:

- A. Max 20 pair No. 22 AWG (0.6 mm) diam (or smaller), copper conductor telecommunication cables with PE insulation and jacket.

### 3. Firestop System

The Through-Penetration Firestop System shall consist of the following:

- A. Fill, Void or Cavity Material\* – Min 0.08 in. (2 mm) dry film thickness to be applied onto Item 2 within the opening and min. 7-7/8 in. (200 mm) from both surfaces of floor or wall assembly.

**Flamro Brandschutz-Systeme GmbH – FLAMMOTECT-A**

- B. Fill, Void or Cavity Material\* – 1 layer of 1/16 in (1.5 mm) by 2 in. (50 mm) wrap flush mounted on the exposed side of floor or both sides of wall assembly and wrapped around the coated cable bundle.

**Flamro Brandschutz-Systeme GmbH – DG-CR BS**

- C. Packing Material – Min 4-1/3 in. (110 mm) thickness of min 6 pcf (100 kg/m<sup>3</sup>) mineral wool insulation firmly packed into annulus as a permanent form. Packing material to be recessed from both surfaces of floor or wall to accommodate the required thickness of fill material.

- D. Fill, Void or Cavity Material\* – Min 0.08 in. (2 mm) thickness of fill material applied within the annulus, flush with both surfaces of floor or wall assembly.

**Flamro Brandschutz-Systeme GmbH – FLAMMOTECT-A**

\*Indicates such products shall bear the UL or cUL Certification Mark for jurisdictions employing the UL or cUL Certification (such as Canada), respectively. Reprinted from Product iQ with permission from UL Solutions. ©2024 UL LLC.